

Cerberus™ PRO

## Fire control panel

FC726



### **Modular, pre-assembled fire control panel for large applications and the option of gradual migration to Cerberus PRO.**

- Fire control panel for max. 1512 addresses
- Can be used as a standalone version or networked with up to 64 stations, such as control panels and terminals
- Redundant network node with degraded mode operation according to EN 54
- Option to connect to Siemens 'Cloud for Buildings'
- Emergency power supply for emergency operating time of up to 72 hours
- Recognition, automatic read-in and immediate operational readiness of all C-NET devices with auto-configuration
- Flexible configuration of complex applications and controls
- Configuration data can be uploaded/downloaded via remote access
- Time and situation-dependent changeover of detector parameter sets
- Card cage for additional module bus cards (line and I/O cards)
- Hot plug system: Module bus cards can be changed during operation
- Extensions: Printer, key switches, LED indicators

# Features and Functions

## System



The diagrams have been simplified and do not include additional network hardware or security components. Permissible applications are described in the A6V101039439 Network Security Guidelines document. Contact your Siemens IT security expert for more information.

### System overview

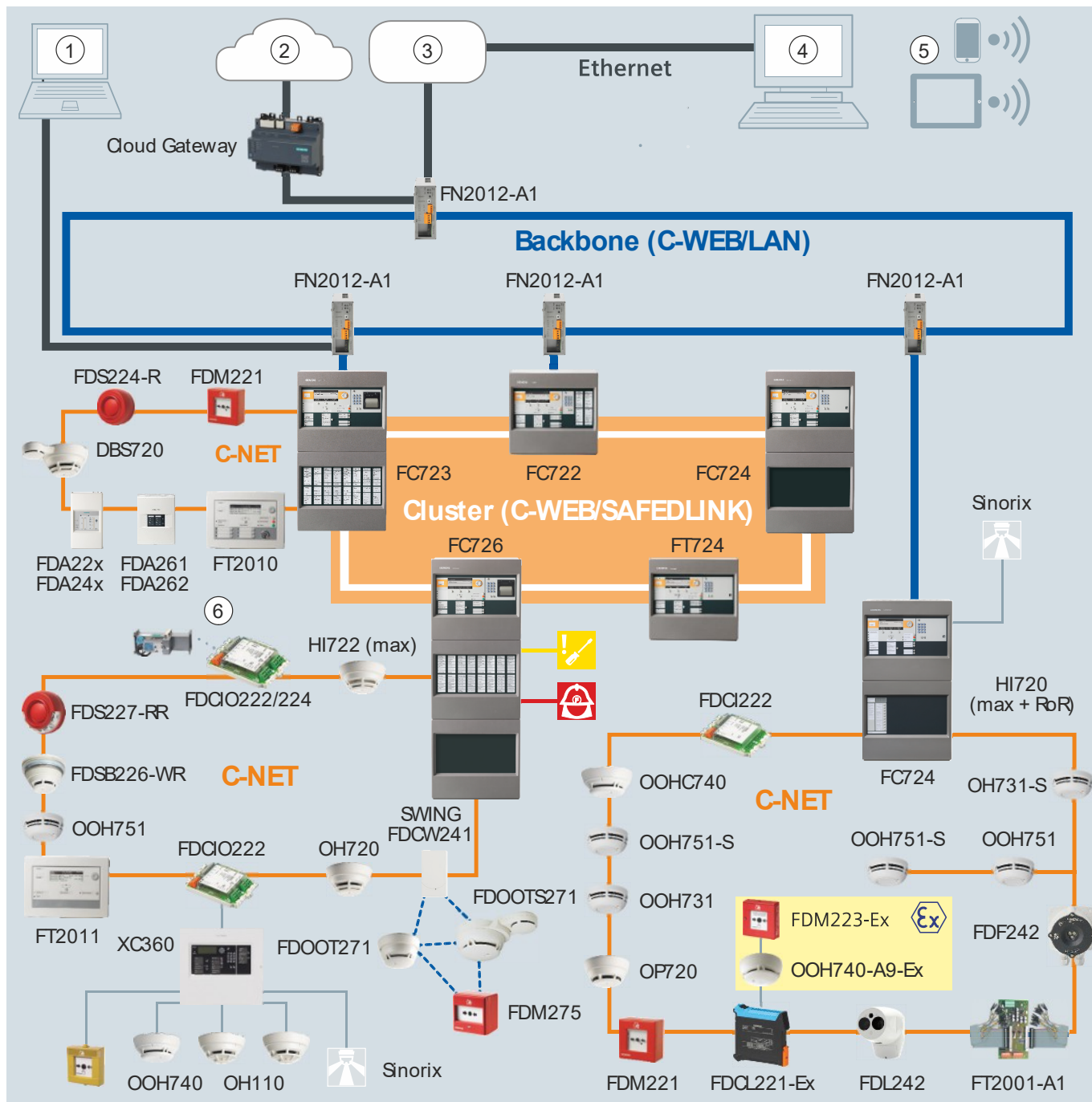




Fig. 1: System overview

|   |                                      |
|---|--------------------------------------|
| 1   | Remote access with Cerberus-Remote   |
| 2   | 'Cloud for Buildings'                |
| 3   | Customer network                     |
| 4   | Management platform                  |
| 5   | Remote access to management platform |
| 6   | Fire damper with actuator            |
|  | Transmission of a fault signal       |
|  | Transmission of an alarm signal      |

You will find a detailed labeled version of the diagram above along with further information in the A6V10332842 planning guide, see chapter 'Product documentation'.

#### Optional module bus cards for card cage with 5 slots

| Type       | Designation                | Properties   |
|------------|----------------------------|--|
| FCL2001-A1 | Line card (FDnet/C-NET)    | 4x loops of 0.5 A and max. 252 addresses per loop and max. 252 addresses per line card |
| FCL2008-A1 | Line card (FDnet/C-NET, P) | 4x loops of 1.5 A and max. 252 addresses per loop and max. 252 addresses per line card |
| FCL7201-Z3 | Line card (SynoLOOP)       | 4x loops each with a maximum of 128 addresses, max. of 512 addresses per line card     |
| FCI2007-A1 | I/O card (RT)              | Outputs for alarm, fault, local alarm  |
| FCI2008-A1 | I/O card (programmable)    | 12x freely programmable inputs/outputs per I/O card                                    |
| FCI2009-A1 | I/O card (horn/monitored)  | 8x monitored horn outputs or monitored outputs   |

## Networking of fire control panels



The diagrams have been simplified and do not include additional network hardware or security components. Permissible applications are described in the A6V101039439 Network Security Guidelines document. Contact your Siemens IT security expert for more information.

Up to 32 control panels and terminals can be linked to form one C-WEB network. If the C-WEB network is connected to a danger management system via BACnet, up to 16 control panels and terminals can be networked.

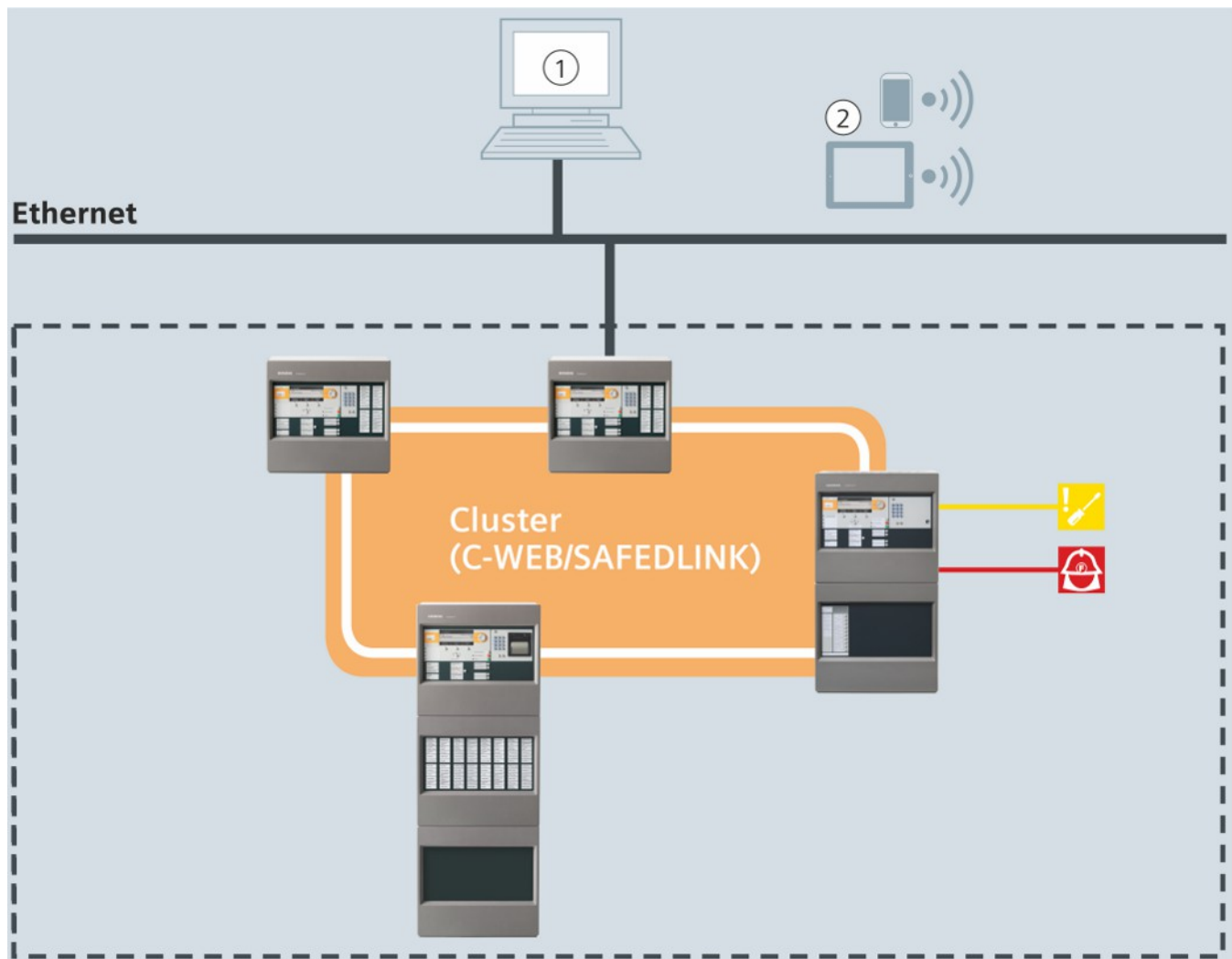


Fig. 2: Sub-net

|   |                                      |
|---|--------------------------------------|
| 1 | Management platform                  |
| 2 | Remote access to management platform |
|   | Transmission of a fault signal       |
|   | Transmission of an alarm signal      |

An optical C-WEB/LAN network (without sub-networks) allows operation of a maximum of 64 stations in a single network.

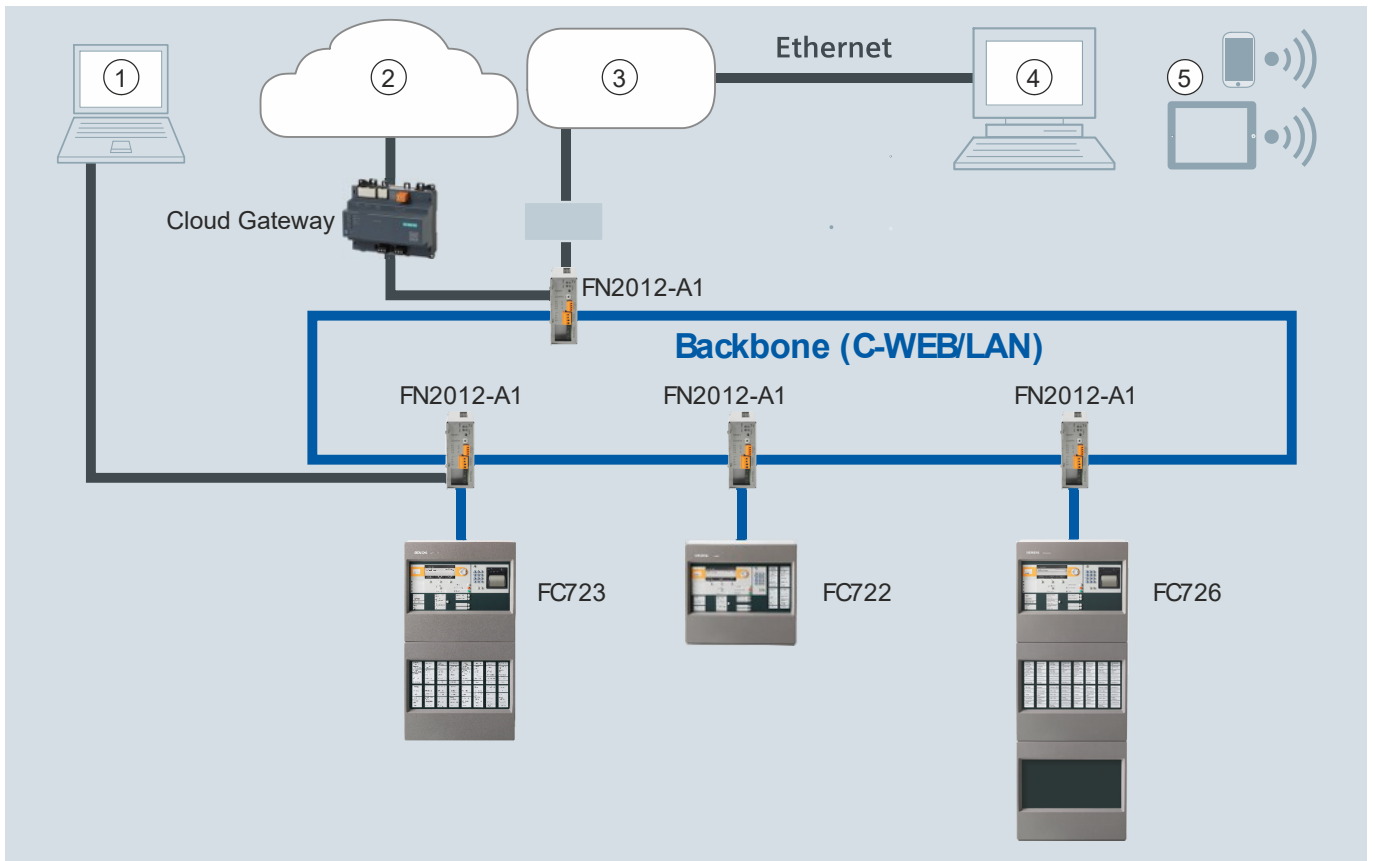


Fig. 3: Networking via 'C-WEB/LAN' without a 'subnet'

|   |                                      |
|---|--------------------------------------|
| 1 | Remote access with Cerberus-Remote   |
| 2 | 'Cloud for Buildings'                |
| 3 | Customer network                     |
| 4 | Management platform                  |
| 5 | Remote access to management platform |

You will find a detailed labeled version of the diagram above along with further information in the A6V10332842 planning guide, see chapter 'Product documentation'.

An extended redundant network via 'C-WEB/LAN' without a sub-net is a glass fiber Ethernet network without 'SAFEDLINK sub-net'. This type of networking meets the requirements for communication in 'Degraded mode' and is EN-54-compliant.

The following preconditions/restrictions are applicable:

- To ensure EN-54 conformity, the following setting must be activated in the 'Cerberus-Engineering-Tool': 'Degraded signal forwarding enabled'.
- The network must be implemented via one connection module (MoNet) FCA2031-A1 and one Ethernet switch (modular) FN2012 per 'Station' in each case.
- A maximum of 64 'Stations' can be networked via the 'C-WEB/LAN' without a sub-net.

An optical C-WEB/LAN network allows up to 14 sub-nets with up to 16 stations to be operated in one network. A maximum of 64 stations is supported in total.

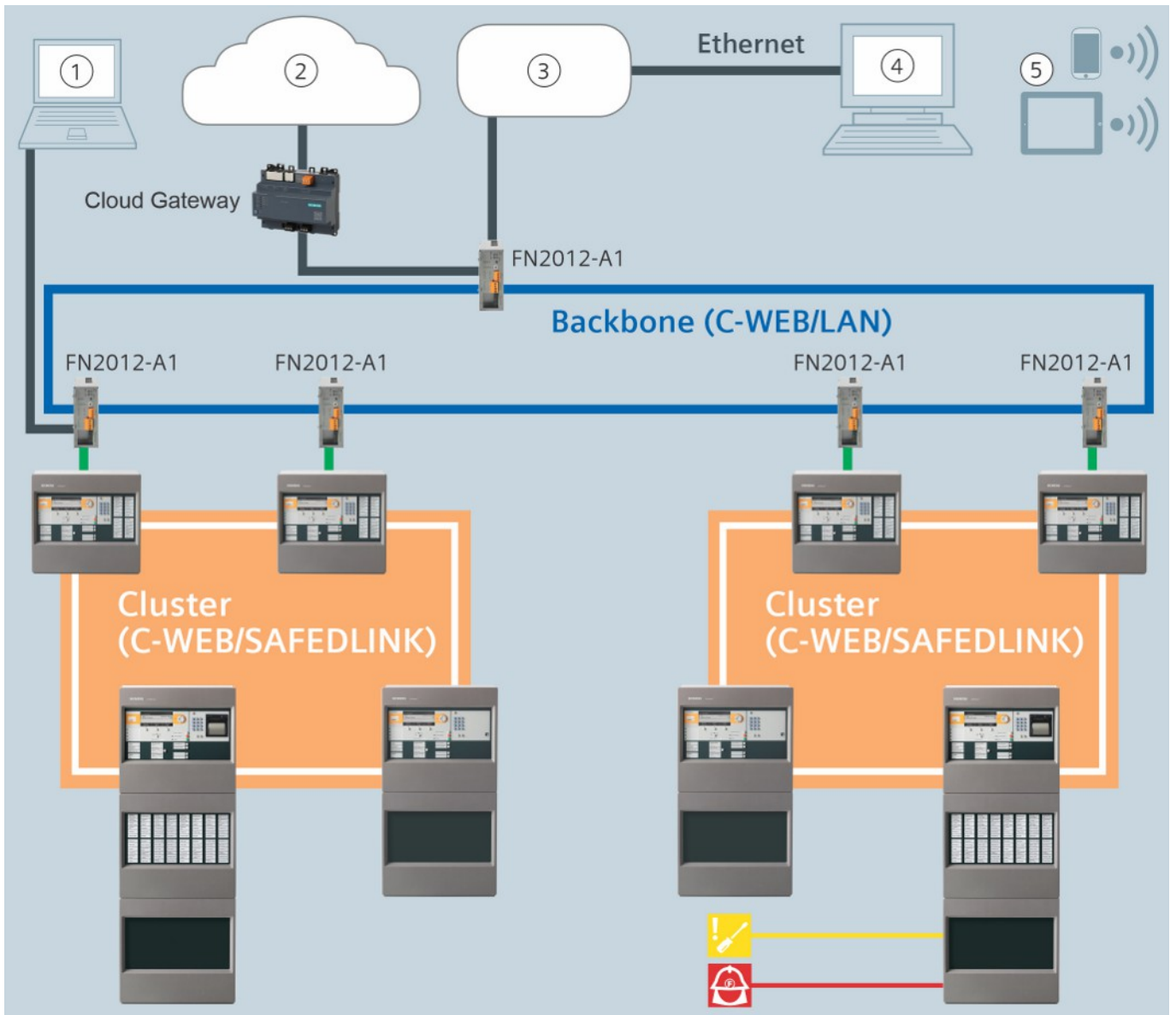




Fig. 4: Backbone

|   |                                      |
|---|--------------------------------------|
| 1   | Remote access with Cerberus-Remote   |
| 2   | 'Cloud for Buildings'                |
| 3   | Customer network                     |
| 4   | Management platform                  |
| 5   | Remote access to management platform |
|  | Transmission of a fault signal       |
|  | Transmission of an alarm signal      |


You will find a detailed labeled version of the diagram above along with further information in the A6V10332842 planning guide, see chapter 'Product documentation'.

# Control panels

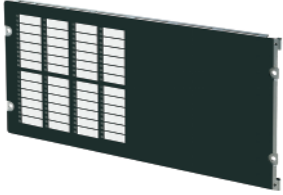
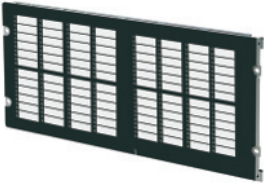



## General features and functions

- Fast Ethernet interface for a heterogeneous network
- Processes the signals from the Cerberus PRO FD720 detector series, Cerberus Nova detector series, and the signals from earlier detector series
- Interface to Siemens danger management system
- Slots for RS232 and RS485 serial interfaces
- Floor repeater displays, terminals and alarm devices on the C-NET detector line with power supply via C-NET
- All detector lines are monitored for ground faults.
- Mixed use of all module bus cards (line and I/O cards) possible.
- Integrated degraded mode function
- Freely configurable, time-dependent controls with optional weekly, monthly, and yearly switching programs
- Time and situation-dependent changeover of detector parameter sets
- Controls for synchronous activation of sounder bases/sounders (acoustic, optical, language)
- The control panel and the fire detection system are custom-configured using the 'Cerberus-Engineering-Tool' software
- Firmware for all processor-controlled control panel components can be updated
- Customer texts can be adapted directly on the operating unit of the control panel or with the 'Cerberus-Engineering-Tool' software
- Up to 13000 events can be called up from the event memory and filtered based on various criteria
- Automatic summer/normal time changeover

## Control panel-specific features

| FC726-ZA  | Housing (Large)  |
|---|--|
|  | <p>C-NET detector line:</p> <ul style="list-style-type: none"><li>• Max. 1512 addresses</li><li>• 4 loops/8 stubs</li><li>• Can be extended up to 28 loops/56 stubs</li></ul> <p>Extra module bus cards (option):</p> <ul style="list-style-type: none"><li>• Line card (FDnet/C-NET, P) FCL2008-A1</li><li>• Line card (SynoLOOP) FCL7201-Z3</li><li>• I/O card (programmable) FCI2008-A1</li><li>• I/O card (horn/monitored) FCI2009A1</li><li>• I/O card (remote transmission) FCI2007-A1</li></ul> <p>Features:</p> <ul style="list-style-type: none"><li>• Operating unit</li><li>• Operating add-on (empty)</li><li>• Card cage (5 slots)</li><li>• 250-W power supply</li><li>• Max. battery capacity 45 Ah</li></ul> <p>Operating unit options:</p> <ul style="list-style-type: none"><li>• Event printer FTO2001-A1</li><li>• Key switch (Kaba) FTO2005-C1</li><li>• Key switch (nordic) FTO2006-B1</li><li>• Operating add-on (2xLED indicator) FCM7213-Y3</li><li>• Operating add-on (4xLED indicator) FCM7214-Y3</li></ul> |

## Extensions

|  |  |
|--|--|
| <p><b>FCM7213-Y3</b></p>    | <p><b>Operating add-on (2xLED indicator)</b></p> <ul style="list-style-type: none"> <li>Optional operating add-ons with 48 indicator groups and two LEDs each: 1x red/green LED and 1x yellow LED</li> </ul>   |
| <p><b>FCM7214-Y3</b></p>    | <p><b>Operating add-on (4xLED indicator)</b></p> <ul style="list-style-type: none"> <li>Optional operating add-ons with 96 indicator groups and two LEDs each: 1x red/green LED and 1x yellow LED</li> </ul>   |
| <p><b>FH7204-Z3</b></p>    | <p><b>Housing (Large Extension)</b></p> <ul style="list-style-type: none"> <li>Empty housing for free use</li> <li>443 x 404 x 288 mm</li> <li>E.g., for extra batteries, operating add-ons, or event printer</li> <li>Space for the following battery configurations: <ul style="list-style-type: none"> <li>– 2x FA2007-A1 (45 Ah) or</li> <li>– 2x FA2008-A1 (65 Ah)</li> </ul> </li> <li>The mounting kit for the batteries FHA2061-A1 must be ordered separately.</li> </ul>                          |
| <p><b>FH7205-Z3</b></p>   | <p><b>Housing (Large)</b></p> <ul style="list-style-type: none"> <li>Empty housing for free use</li> <li>443 x 802 x 288 mm</li> <li>E.g., for extra batteries, operating add-ons, or event printers</li> <li>Space for the following battery configurations: <ul style="list-style-type: none"> <li>– 2x BAT12-25 (25 Ah) or</li> <li>– 2x FA2007-A1 (45 Ah) or</li> <li>– 2x FA2008-A1 (65 Ah)</li> </ul> </li> <li>The mounting kit for the batteries FHA2061-A1 must be ordered separately.</li> </ul> |
| <p><b>FTO2001-A1</b></p>  | <p><b>Event printer</b></p> <ul style="list-style-type: none"> <li>Thermal printer for installation in operating units or operating add-ons</li> <li>Can be controlled via the RS232 module FCA2001-A1 (order separately)</li> <li>Logs all important events, such as alarms, faults, isolations, and test functions</li> </ul>  |

# Use

For large applications, e.g., for industrial plants, office complexes, or production halls.

As part of a modernization process, for a gradual and seamless transition from older systems to Cerberus PRO.

# Design

## Function elements

### Operating unit

The following elements are available on the operating unit:

- CPU module and electronics
- Ethernet connection
- Slots for RS232 and RS485 modules and network modules (SAFEDLINK)
- Space for 'Kaba' or 'nordic' key switch
- Space for event printer (depending on version)
- Peripheral data bus connection for optional LED modules

### Periphery board

The following elements are available on the periphery board:

- Connection terminals for:
  - C-NET lines
  - Remote transmission (alarm, fault)
  - Horn output
  - Configurable control inputs and outputs
  - Monitored alarm and fault output
  - Power supply and emergency supply
- 2x slot for loop extension (C-NET)

### Card cage

There is a card cage mounted on the rear housing panel for inserting a maximum of five module bus cards.

### Power supply 250 W, emergency power supply

The power supply feeds the hardware and charges the batteries.

In the event of a power cut, the batteries provide emergency current.

### Housing

An FHA2007-A1 pivoting mounting plate can be fitted for the following elements above the periphery board on the rear housing panel:

- 1x fire brigade periphery module (for Germany)
- 2x sounder modules (as an alternative to mounting on U-rail TS35)
- 1x Connect X200 Gateway

### Configuration

The following software allows the system to be customized:

- Cerberus-Engineering-Tool

## Operation

Each control unit has an integrated operating unit. The control panel can also be operated via a separate fire terminal FT724.

You will find details and more information in product data sheet A6V10207898.

# Setup

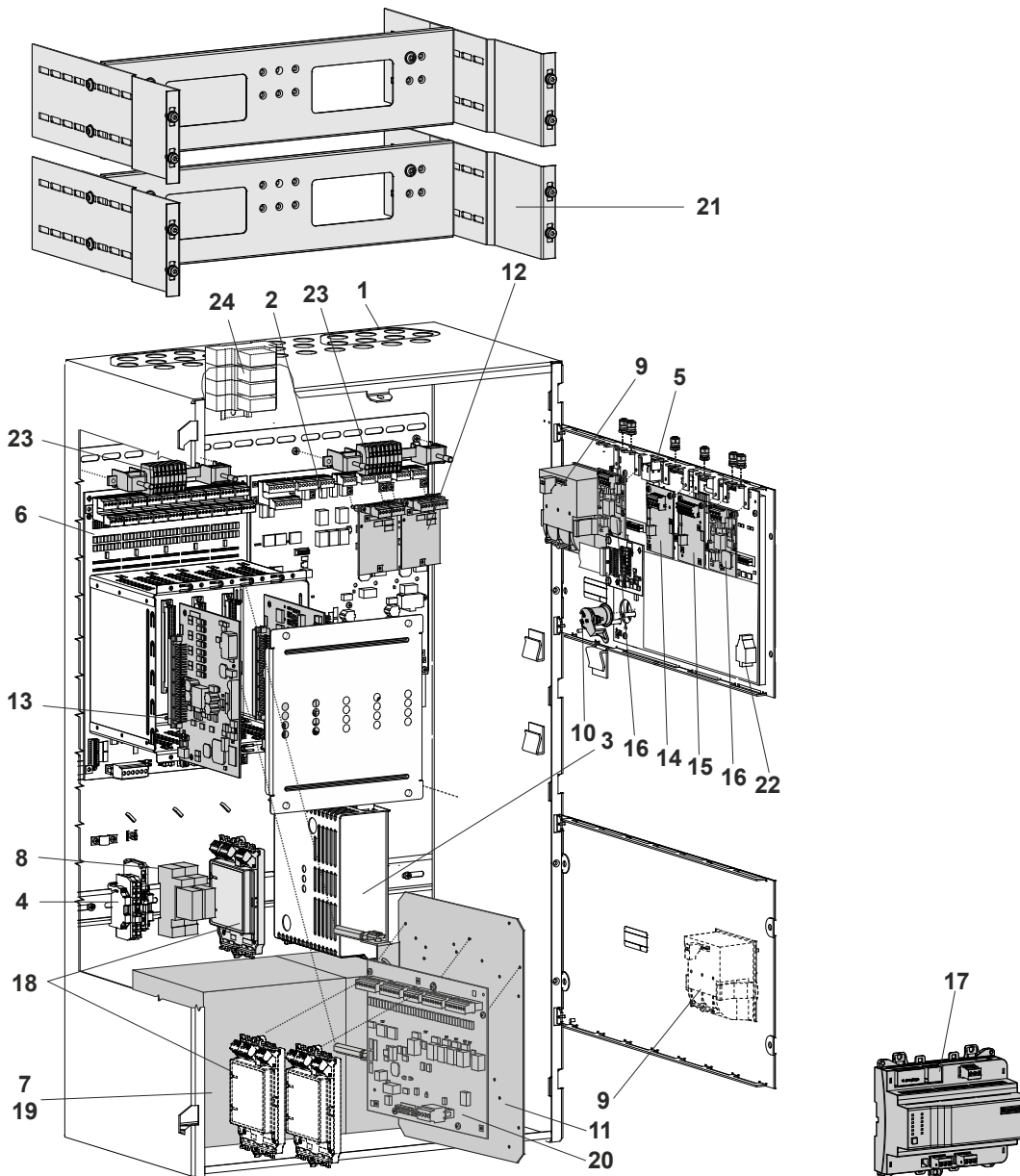



Fig. 5: Layout of FC726

| Position               | Designation                      | Type       | Note                                  |
|------------------------|----------------------------------|------------|---------------------------------------|
| <b>Basic equipment</b> |                                  |            |                                       |
| 1                      | Housing (Large)                  | FHA7205-Z3 | Items 1-6: Basic equipment.           |
| 2                      | Periphery board (4-loop, P)      | FCI2024-A1 |                                       |
| 3                      | Power supply (250 W)             | FP2017-A1  |                                       |
| 4                      | Mains terminals on TS35 DIN rail | -          | Space for socket, relay modules, etc. |
| 5                      | Operating unit                   | FCM72xx-xx | Operating unit with CPU               |
| 6                      | Card cage (5 slots)              | FCA2008-A1 | For five module bus cards             |
| 7                      | Space for batteries              | -          | 2x 12 V / 17...45 Ah                  |
| <b>Extensions</b>      |                                  |            |                                       |
| 8                      | Relay module                     | Z3B171     | Relay for fire controls               |
| 9                      | Event printer                    | FTO2001-A1 | For logging events                    |
| 10                     | Key switch (Kaba)                | FTO2005-C1 | For operating access authorization    |
|                        | Key switch (nordic)              | FTO2006-B1 |                                       |

| Position | Designation                     | Type       | Note   |
|----------|---------------------------------|------------|--|
| 11       | Mounting plate                  | FHA2007-A1 | e.g. for fire brigade periphery module or Connect X200 Gateway   |
| 12       | Loop extension (FDnet/C-NET, P) | FCI2025-A1 | For the loop extension of the periphery board (4-loop, P) FCI2024-A1 from two to four loops. The number of addresses remains the same  |
| 13       | Module bus cards:               |            |  |
|          | Line card (FDnet/C-NET, P)      | FCL2008-A1 | For four extra C-NET lines each of 1.5 A   |
|          | Line card (SynoLOOP)            | FCL7201-Z3 | For four addressable SynoLOOP lines  |
|          | I/O card (programmable)         | FCI2008-A1 | For twelve configurable inputs/outputs   |
|          | I/O card (horn/monitored)       | FCI2009-A1 | For eight monitored horn outputs   |
|          | I/O card (RT)                   | FCI2007-A1 | For extra alarm and fault outputs  |
| 14       | RS485 module (isolated)         | FCA2002-A1 | For peripheral devices with RS485 interface  |
| 15       | RS232 module (isolated)         | FCA2001-A1 | For devices with an RS232 interface  |
| 16       | Network module (SAFEDLINK)      | FN2001-A1  | For networking several stations  |
| 17       | Connect X200 Gateway            | CXG3.X200  | For connecting an FS20 station to Cloud for Buildings<br>The mounting plate FHA2007-A1 and the accessory set + ACDC (X200) FCA2056-A1 or the mounting plate (X200) FHA2063-A1 and the accessory set + ACDC (X200) FCA2056-A1 must be ordered separately. |
| 18       | Sounder module                  | FCA2005-A1 | For splitting one conventional sounder into four   |
| 19       | Battery (12 V, 25 Ah, VdS)      | BAT12-25   | For the emergency power supply   |
|          | Battery (12 V, 45 Ah, VDS)      | FA2007-A1  |  |
| 20       | Fire brigade periphery module   | FCI2001-D1 | For Germany (FBF, FSD, ÜE, FSE, ÖA, KL)  |
| 21       | 19" mounting kit                | FHA2016-A1 | For installation in 19" third-party housing  |
| 22       | License key Sx                  | FCA20xx    | For special functions  |
| 23       | Cable kit (communication)       | FCA2014-A1 | For flexible connections running to the modules on the operating unit  |
| 24       | Relay module/U-rail             | Z3B171     | Space for U-rail TS35 L=70 mm with max. four relay modules   |
|          | Repeater (SAFEDLINK)            | FN2002-A1  | Not in overview, as not an installation part. For extending the C-WEB system bus from 1000 m to 2000 m between two stations. Maximum 1x repeater (SAFEDLINK) between two stations).  |

# Type Overview

|  | Housing (Large)   |
|--|---|
|  |  |
| Type   | FC726   |
| Number of C-NET addresses                        | 1512  |
| Loops (with loop extension) or                   | 4 (8)   |
| Stubs (with loop extension)                      | 8 (16)  |
| Power supply                                     | 250 W   |
| Max. battery capacity                            | 45 Ah   |
| Max. number of module bus cards in the card cage | 5   |

# Details for ordering

## Fire terminals

| Type     | Designation                     | Weight    | Order number   |
|----------|---------------------------------|-----------|----------------|
| FC726-ZA | Fire control panel (modular, P) | 21.181 kg | S54433-C116-A1 |

## Extensions

| Type       | Designation                            | Weight    | Order number    |
|------------|--|-----------|-----------------|
| FCA2001-A1 | RS232 module (isolated)                | 0.033 kg  | A5Q00005327     |
| FCA2002-A1 | RS485 module (isolated)                | 0.027 kg  | A5Q00009923     |
| FCA2005-A1 | Sounder module                         | 0.100 kg  | A5Q00014866     |
| FCA2014-A1 | Cable kit (communication)              | 0.126 kg  | A5Q00023027     |
| FCI2025-A1 | Loop extension (FDnet/C-NET, P)        | 0.030 kg  | S54400-A185-A1  |
| FCI2007-A1 | I/O card (RT)                          | 0.111 kg  | S54400-A20-A1   |
| FCI2008-A1 | I/O card (programmable)                | 0.097 kg  | S54400-A6-A1    |
| FCI2009-A1 | I/O card (horn, monitored)             | 0.109 kg  | S54400-A21-A1   |
| FCL2008-A1 | Line card (FDnet/C-NET, P)             | 0.119 kg  | S54400-A182-A1  |
| FCL7201-Z3 | Line card (SynoLOOP)                   | 0.120 kg  | S54400-A116-A1  |
| FCM7214-Y3 | Operating add-on (4xLED indicator)     | 3.905 kg  | S54400-B150-A1  |
| FCM7213-Y3 | Operating add-on (2xLED indicator)     | 2.516 kg  | S54400-B149-A1  |
| FH7204-Z3  | Housing (Large Extension)              | 11.729 kg | S54400-B89-A1   |
| FH7205-Z3  | Housing (Large)                        | 16.079 kg | S54400-B86-A1   |
| FHA2007-A1 | Mounting plate                         | 0.800 kg  | A5Q00010151     |
| FHA2016-A1 | 19" mounting kit                       | 3.000 kg  | A5Q00020179     |
| FN2001-A1  | Network module (SAFEDLINK)             | 0.022 kg  | A5Q00012851     |
| FN2002-A1  | Repeater (SAFEDLINK)                   | 0.105 kg  | S24236-B2502-A1 |
| FN2006-A1  | Fiber network module (SM)              | 0.792 kg  | S54400-A109-A1  |
| FN2007-A1  | Fiber network module (MM)              | 0.792 kg  | S54400-A110-A1  |
| FTO2001-A1 | Event printer                          | 0.141 kg  | A5Q00010126     |
| -          | Spare printer reels (10 reels)         | 0.090 kg  | A5Q00017619     |
| FTO2005-C1 | Key switch (Kaba)                      | 0.083 kg  | A5Q00010113     |
| FTO2006-B1 | Key switch (nordic)                    | 0.046 kg  | A5Q00010129     |
| Z3B171     | Relay module 250 V AC / 10 A (1 relay) | 0.042 kg  | 4843830001      |
| FP2017-A1  | Power supply (250 W)                   | 0.78 kg   | S54400-B11-A1   |

## Network (backbone)

| Type       | Designation               | Weight                  | Order number   |
|------------|---------------------------|-------------------------|----------------|
| FCA2031-A1 | Connection module (MoNet) | 0.081 kg<br>incl. cable | S54400-A153-A1 |
| FHA2029-A1 | Mounting kit (switch)     | 1.261 kg                | S54400-B79-A1  |
| FN2012-A1  | Ethernet switch (modular) | 0.600 kg                | S54400-B152-A1 |
| VN2002-A1  | Ethernet module (MM)      | 0.026 kg                | S54400-A43-A1  |
| VN2003-A1  | Ethernet module (SM)      | 0.026 kg                | S54400-A44-A1  |

## Cloud Gateway

| Type       | Designation                 | Weight   | Order number     |
|------------|-----------------------------|----------|------------------|
| CXG3.X200  | Connect X200 Gateway        | 0.300 kg | S55842-Z131-A100 |
| FCA2056-A1 | Accessory kit + ACDC (X200) | 0.200 kg | S54400-S115-A1   |
| FHA2063-A1 | Mounting plate (X200)       | 0.269 kg | S54400-B116-A1   |

## Battery

| Type       | Designation                | Weight    | Order number   |
|------------|----------------------------|-----------|----------------|
| FA2005-A1  | Battery (12 V, 17 Ah, VdS) | 5.700 kg  | A5Q00019677    |
| BAT12-25   | Battery (12 V, 25 Ah, VdS) | 7.8 kg    | S54302-Z102-A1 |
| FA2007-A1  | Battery (12 V, 45 Ah, VdS) | 14.500 kg | A5Q00022897    |
| FA2008-A1  | Battery (12 V, 65 Ah, VdS) | 21.300 kg | A5Q00019357    |
| FHA2061-A1 | Mounting kit for batteries | –         | S54400-B91-A1  |

## License keys

| Type       | Designation      | Weight   | Order number   |
|------------|------------------|----------|----------------|
| FCA2033-A1 | License key (S1) | 0.010 kg | S54400-P154-A1 |
| FCA2034-A1 | License key (S2) | 0.010 kg | S54400-P155-A1 |
| FCA2035-A1 | License key (S3) | 0.010 kg | S54400-P156-A1 |
| FCA2036-A1 | License key (S4) | 0.010 kg | S54400-P157-A1 |

# Product documentation

| Title   | Document ID  |
|---|--------------|
| <b>System documentation</b>                                       |              |
| System description  | A6V10210355  |
| Product data  | A6V10210368  |
| Planning  | A6V10210362  |
| Mounting/Installation   | A6V10210390  |
| <b>System data sheet</b>  |              |
| FS720 – Fire detection system                                     | A6V10227649  |
| <b>Data sheets</b>  |              |
| FC721 - fire control panel  | A6V10203220  |
| FC722 - fire control panel  | A6V10206525  |
| FC723 - fire control panel for modernization                      | A6V10379246  |
| FC724 - fire control panel  | A6V10207176  |
| FC726 - fire control panel (modular)                              | A6V10263277  |
| FT724 - fire terminal   | A6V10207898  |
| Fire detection system with integrated single-sector extinguishing | A6V11480005  |
| Network Security Guidelines                                       | A6V101039439 |
| Planning overview   | A6V10332842  |

Related documents such as the environmental declarations, declarations of conformity, etc., can be downloaded from the following Internet address:

[www.siemens.com/bt/download](http://www.siemens.com/bt/download)



## Guarantee

Technical data on specific applications are only valid together with Siemens products listed under "Equipment combinations". Siemens rejects any and all warranties in the event that third-party products are used.

# Technical data

| Fire control panel (modular, P) FC726 in the housing (large) |   |                                   |
|--|---|-----------------------------------|
| <b>Supply</b>  | Mains voltage   | AC 115 / 230 V +10/-15 %          |
|  | Power supply  | 250 W                             |
|  | Operating voltage   | DC 21...28.4 V                    |
|  | Operating current   | Max. 5 A                          |
|  | Battery capacity  | 2x 12 V, max. 45 Ah               |
|  | Battery monitoring  | Yes                               |
|  | Network monitoring  | Yes                               |
| <b>Inputs / outputs</b>                                      | Connectible detector series   | Cerberus PRO FD720, Cerberus Nova |
|  | Other addressable detectors which can be connected  | SynoLOOP                          |
|  | Number of addresses   | Max. 1512                         |
|  | Number of integrated line cards   | 2                                 |
|  | Number of integrated lines:   |                                   |
|  | • Loops (with loop extension) or  | 4 (8)                             |
|  | • Stubs   | 8 (16)                            |
|  | Number of additional lines:   |                                   |
|  | • C-NET (4 loops or stubs per line card)  | Max. 20 loops/stubs               |
|  | • SynoLOOP (4 loops or stubs per line card)   | Max. 20 loops/stubs               |
|  | Integrated inputs/outputs:  |                                   |
|  | • Alarm RT relay output   | 1                                 |
|  | • Fault RT relay output   | 1                                 |
|  | • Monitored alarm outputs   | 1                                 |
|  | • Monitored fault outputs   | 1                                 |
| • Monitored horn outputs                                     | 2   |                                   |
| • Freely programmable inputs/outputs                         | 12  |                                   |
| Additional I/O cards:  |   |                                   |
| • Programmable   | 12x configurable inputs/outputs<br>2x supply outputs 24 V   |                                   |
| • Horn/monitored   | 8x horn output monitored  |                                   |
| • RT   | 1x alarm relay output<br>1x fault relay output<br>1x voltage output 24 V<br>2x GPIO (General Purpose Input/Output)<br>1x fault output monitored<br>2x configurable output monitored |                                   |

**Fire control panel (modular, P) FC726 in the housing (large)**

|                           |  |                      |
|---------------------------|--|----------------------|
| <b>Interfaces</b>         | Operating unit                                       | Integrated           |
|                           | Slots for serial interfaces RS232, RS485             | 2                    |
|                           | Slots for network modules                            | 2                    |
|                           | Slots for loop extension                             | 2                    |
|                           | Slots for module bus cards (on integrated card cage) | 5                    |
|                           | Mounting spaces for cable kit (communication)        | 2                    |
|                           | Sounder module                                       | Max. 2               |
|                           | Ethernet port RJ45                                   | 1                    |
| <b>Ambient conditions</b> | Operating temperature                                | -8...+42 °C          |
|                           | Storage temperature                                  | -20...+60 °C         |
|                           | Air humidity (no condensation permitted)             | ≤95 % rel.           |
|                           | Maximum height above sea level                       | 3,700 m              |
| <b>Mechanical data</b>    | Dimensions (W x H x D):                              |                      |
|                           | • Without cover cap                                  | 430 x 796 x 265 mm   |
|                           | • With cover cap                                     | 443 x 802 x 288 mm   |
|                           | Protection category (IEC 60529)                      | IP30                 |
|                           | Color:   |                      |
|                           | • Housing  | ~RAL 7035 light gray |
| • Cover cap               | ~RAL 000 50 00                                       |                      |
| <b>Approvals</b>          | VdS  | G210084              |
|                           | LPCB   | 126bn/08             |
|                           | FM   | 3051081              |