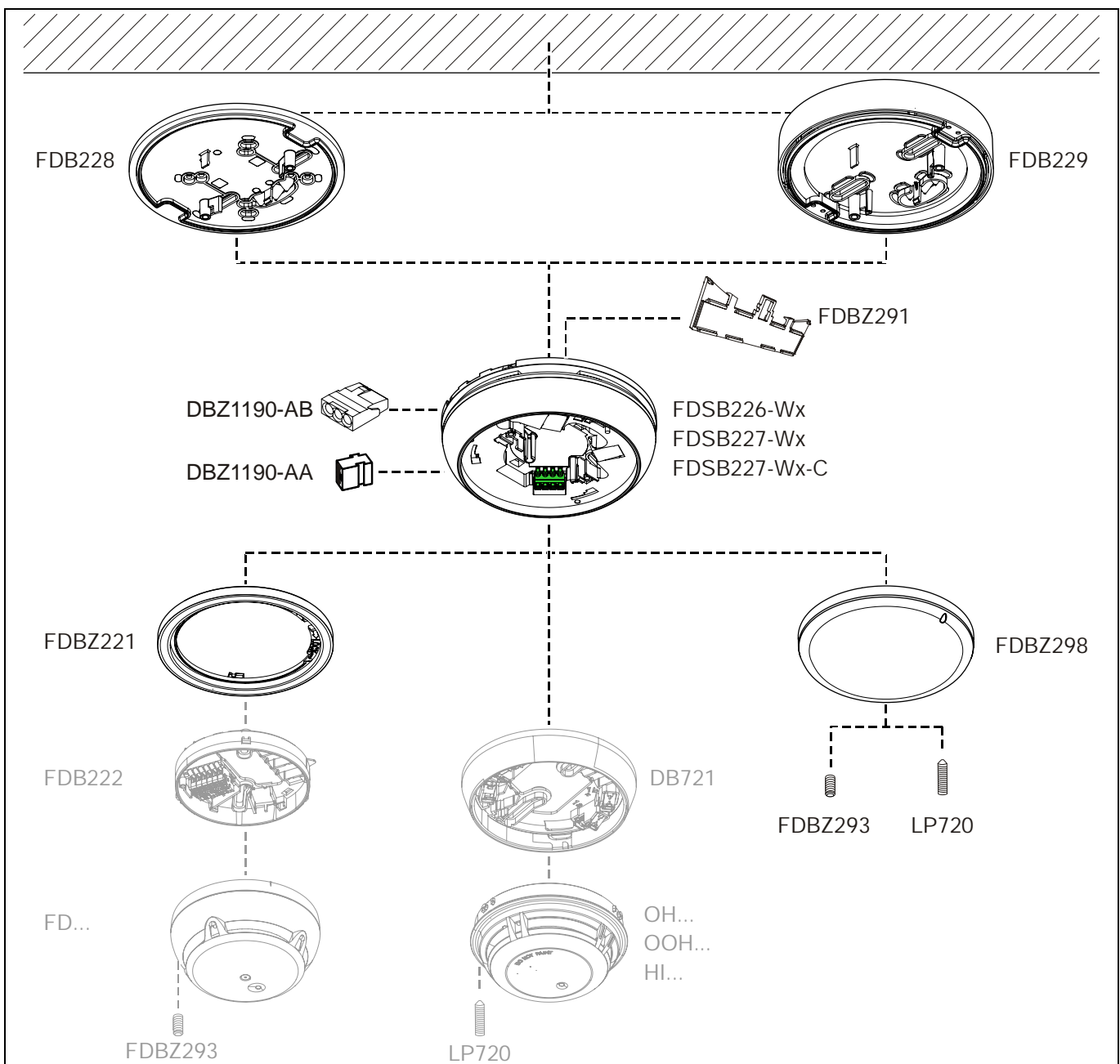


FDSB226-Wx	FDSB227-Wx	FDSB227-Wx-C
------------	------------	--------------

	FDSB226-Wx	 
	FDSB227-Wx	+  + 
	FDSB227-Wx-C	+  + 

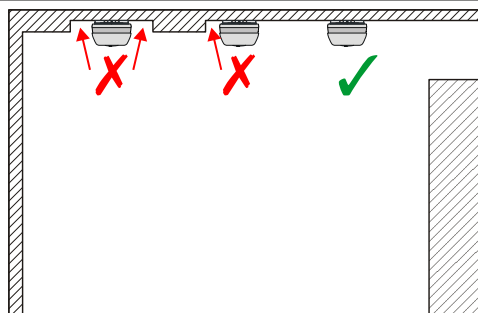
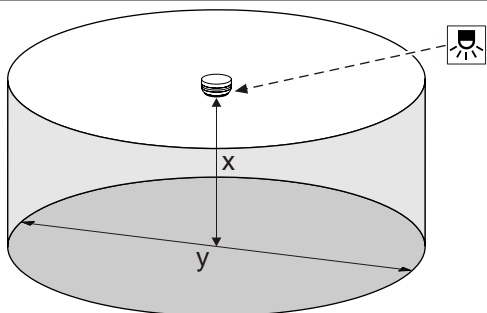




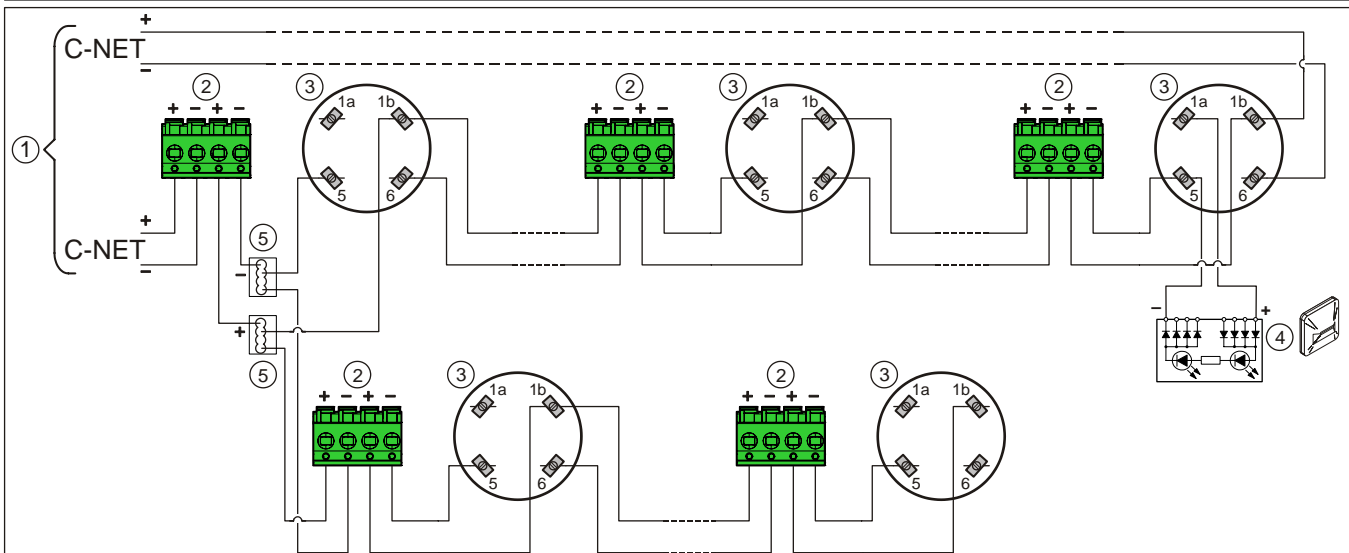
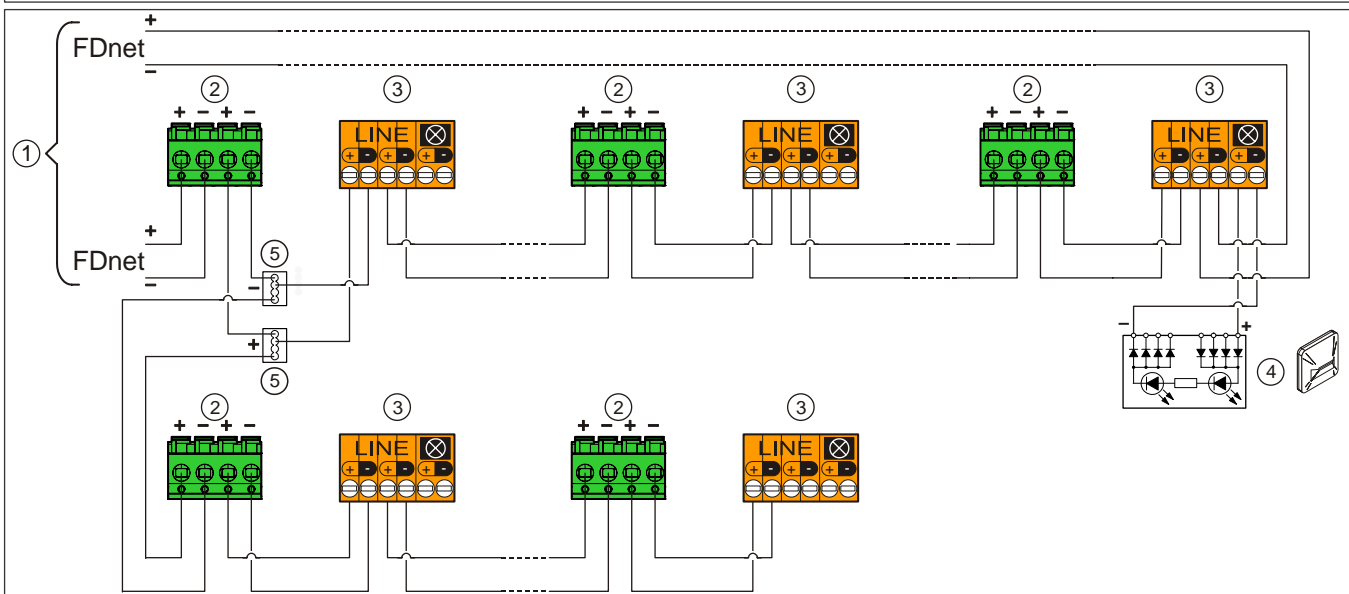
-25...+70 °C



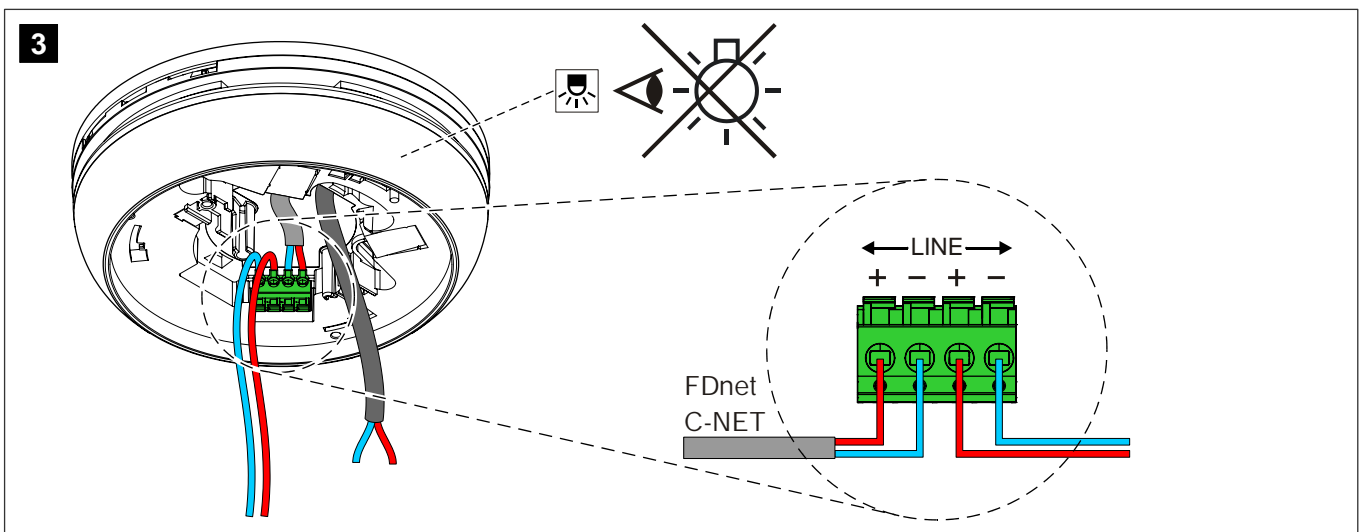
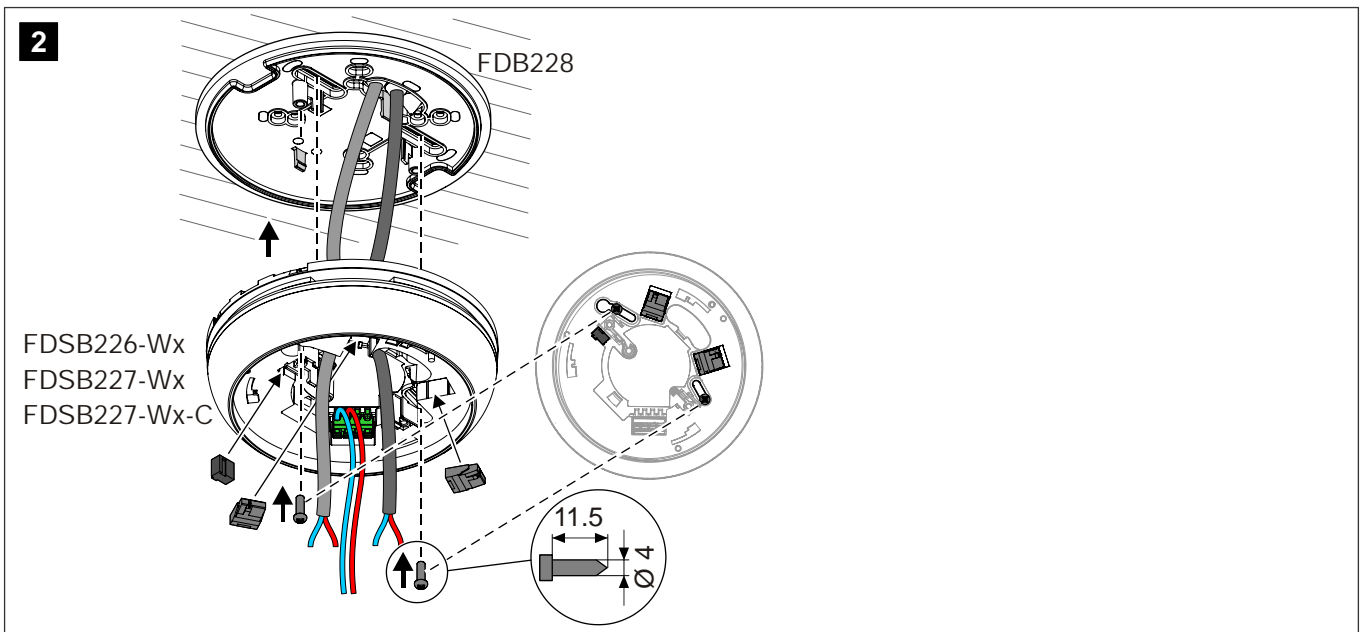
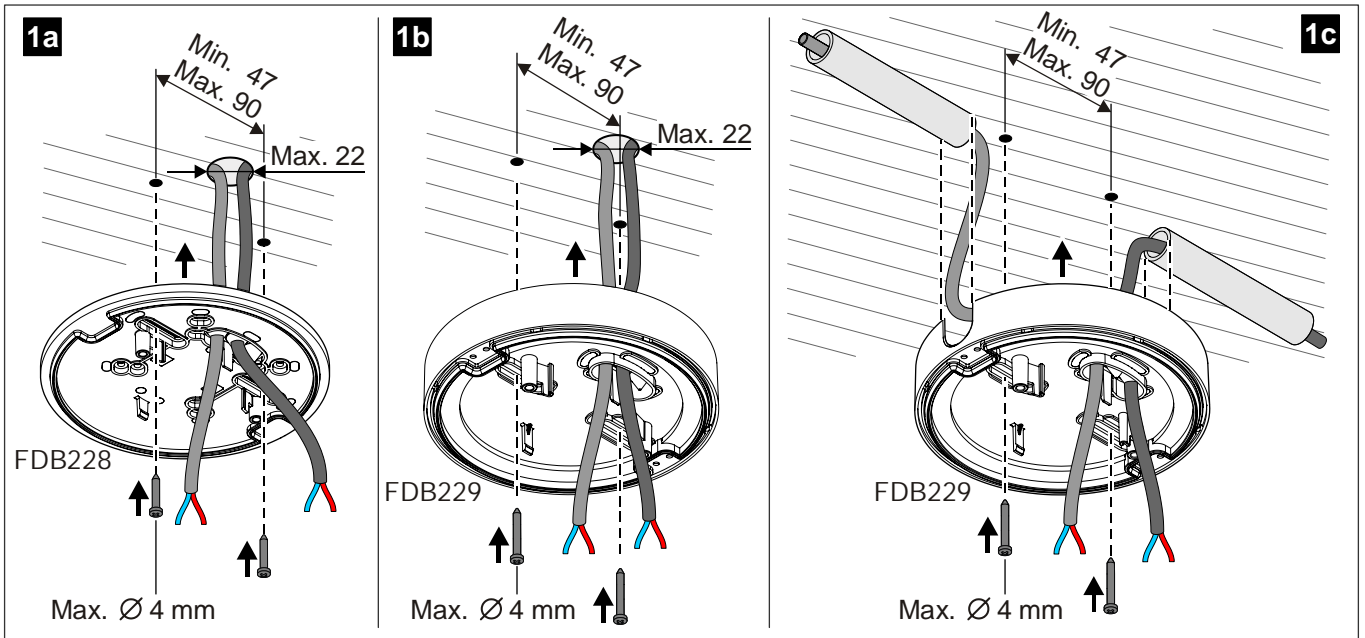
≤95 % rel.



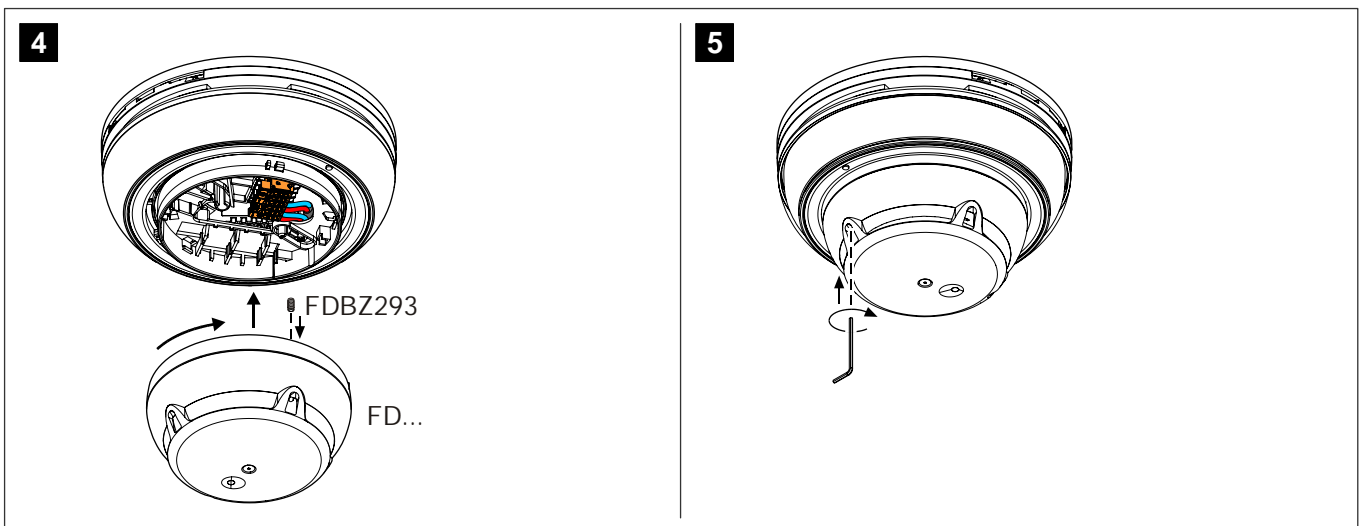
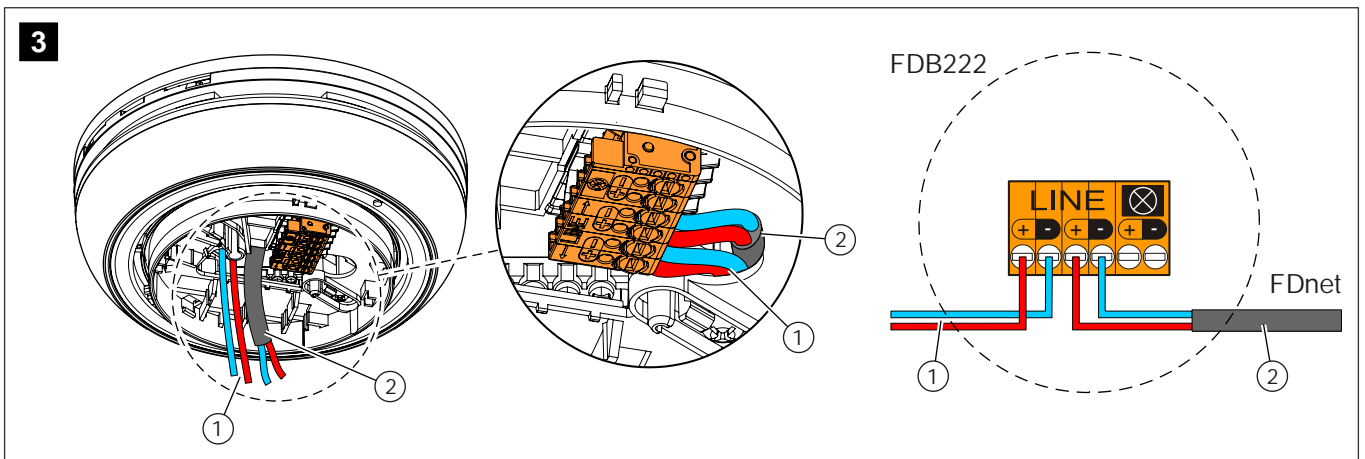
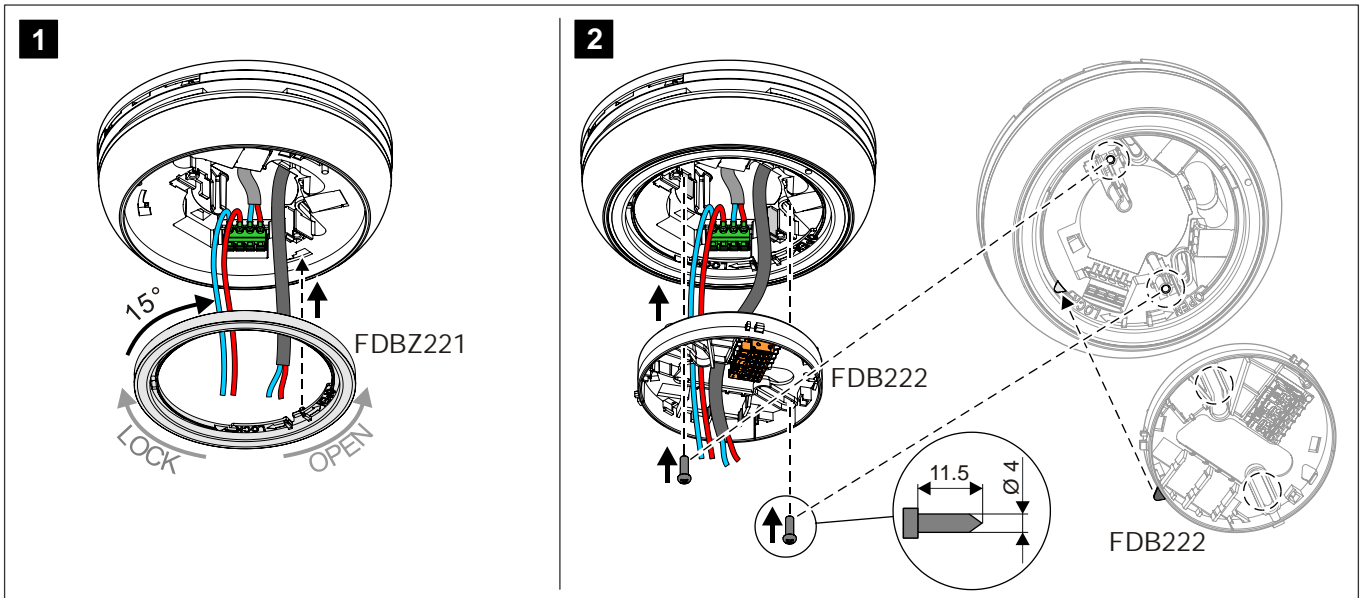
		Max.		
		x	y	
FDSB226-WW	O-4-15	4	15	High
	C-3-12	3	12	Medium
FDSB227-WW	O-2.5-6.5	2.5	6.5	Low
	C-3-12	3	12	High
FDSB226-WR	C-3-10	3	10	Medium
	O-2.5-6.5	2.5	6.5	Low



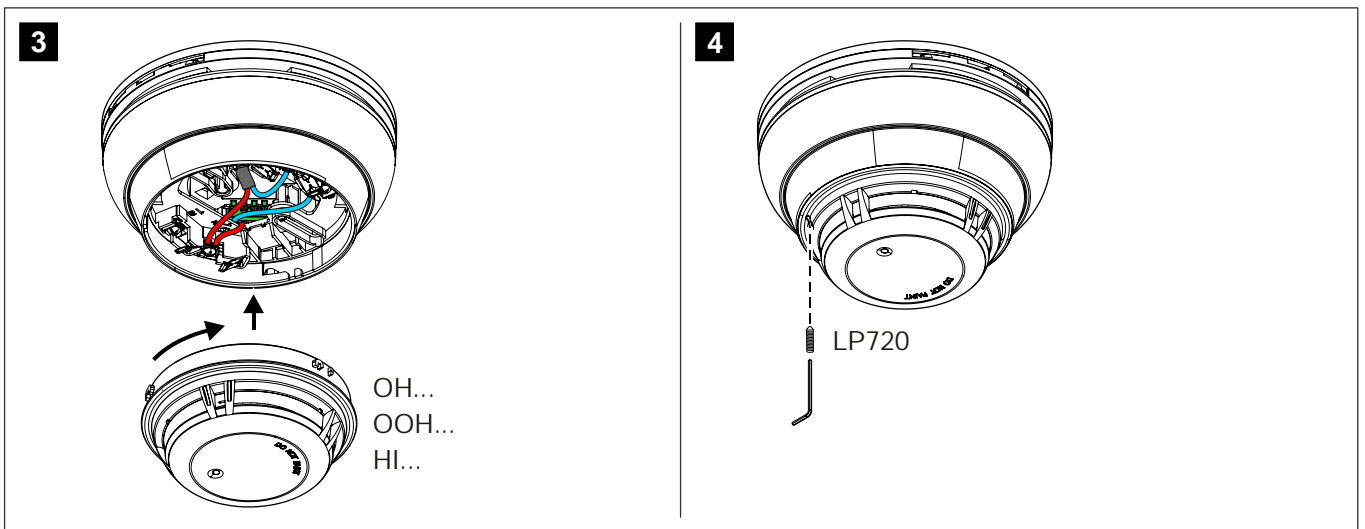
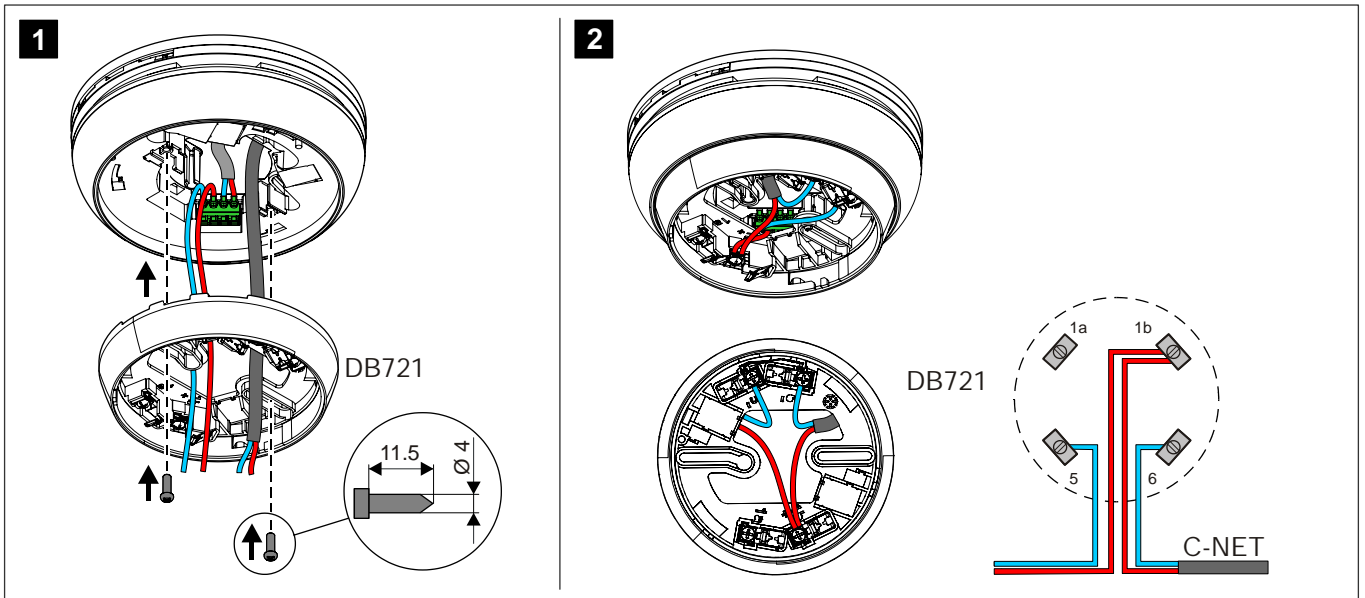
1.



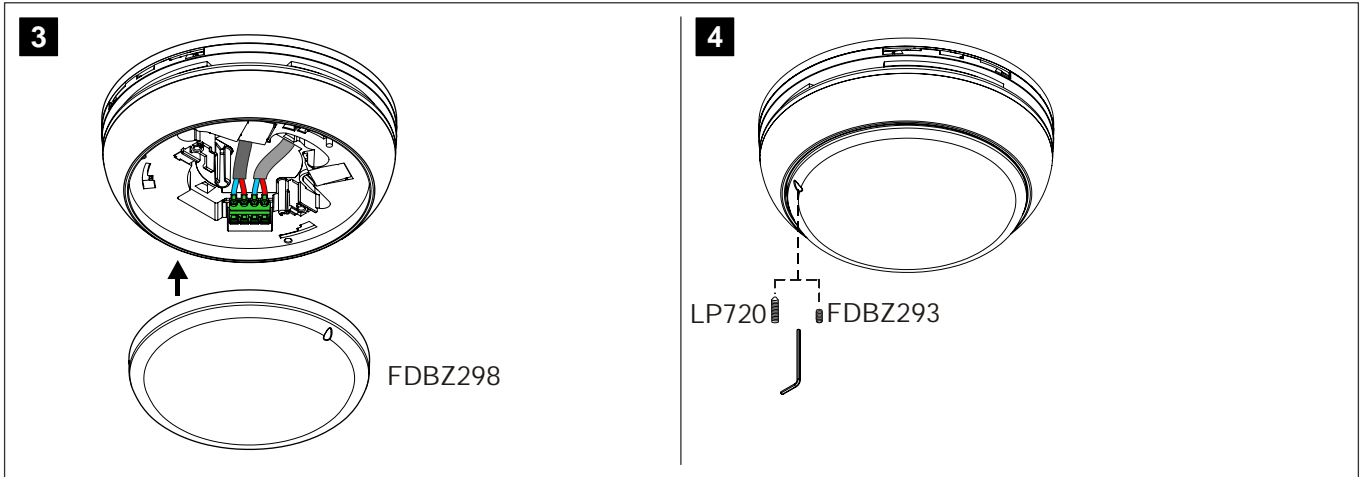
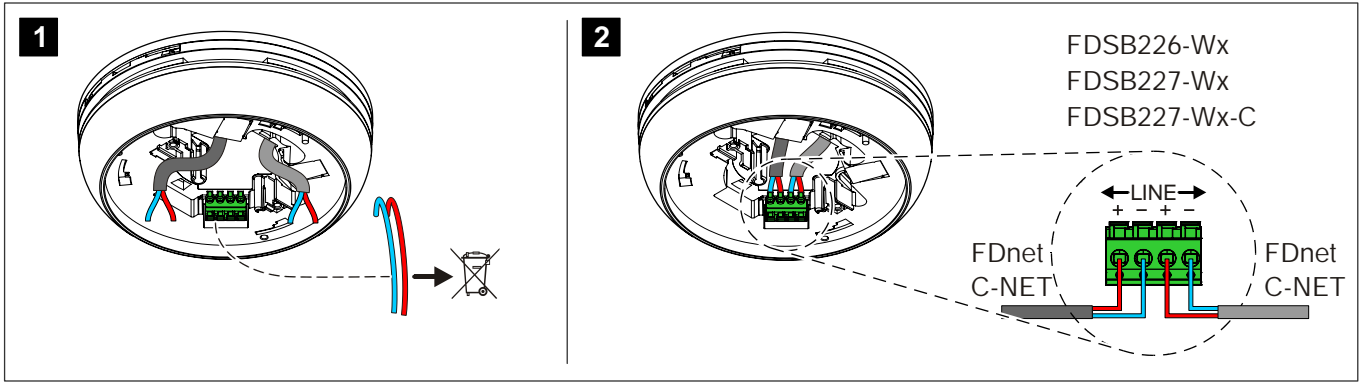
## 2. Sinteso™



## 2. Cerberus™ PRO



### 3.



			<a href="https://siemens.com/bt/download">https://siemens.com/bt/download</a>
			→ A6V10725364

19 **CE** 0786

**FDSB226**

Siemens Schweiz AG; Theilerstrasse 1a  
CH-6300 Zug  
Technical data: see doc. **A6V10725364**

FDSB226 - Visual alarm device/sounder incl. short-circuit isolator

305/2011/EU (CPR): EN 54-3 / EN 54-17 / EN 54-23 ; 2014/30/EU (EMC): EN 50130-4 / EN 61000-6-3 ; 2011/65/EU (RoHS): EN 50581

The declared performance and conformity can be seen in the Declaration of Performance (DoP) and the EU Declaration of Conformity (DoC),  
which is obtainable via the Customer Support Center: Tel. +49 89 9221-8000 or <https://siemens.com/bt/download>

DoP No.: DOP190101 ; DoC No.: CED-FDSB226

19 **CE** 0786

**FDSB227**

Siemens Schweiz AG; Theilerstrasse 1a  
CH-6300 Zug  
Technical data: see doc. **A6V10725364**

FDSB227 - Visual alarm device/sounder incl. short-circuit isolator

305/2011/EU (CPR): EN 54-3 / EN 54-17 / EN 54-23 ; 2014/30/EU (EMC): EN 50130-4 / EN 61000-6-3 ; 2011/65/EU (RoHS): EN 50581

The declared performance and conformity can be seen in the Declaration of Performance (DoP) and the EU Declaration of Conformity (DoC),  
which is obtainable via the Customer Support Center: Tel. +49 89 9221-8000 or <https://siemens.com/bt/download>

DoP No.: DOP190102 ; DoC No.: CED-FDSB227

Issued by  
Siemens Switzerland Ltd  
Smart Infrastructure  
Global Headquarters  
Theilerstrasse 1a  
CH-6300 Zug  
Tel. +41 58 – 724 24 24  
[www.siemens.com/buildingtechnologies](http://www.siemens.com/buildingtechnologies)

© Siemens Switzerland Ltd, 2018  
Technical specifications and availability subject to change without notice.